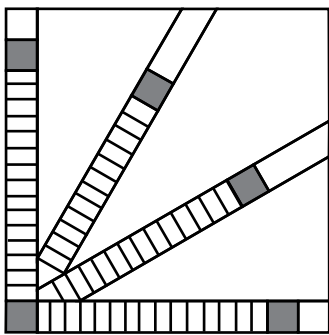
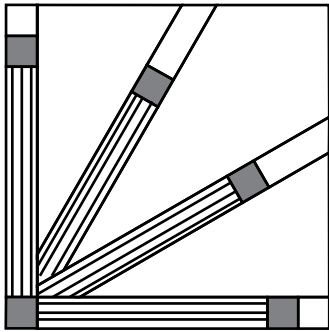


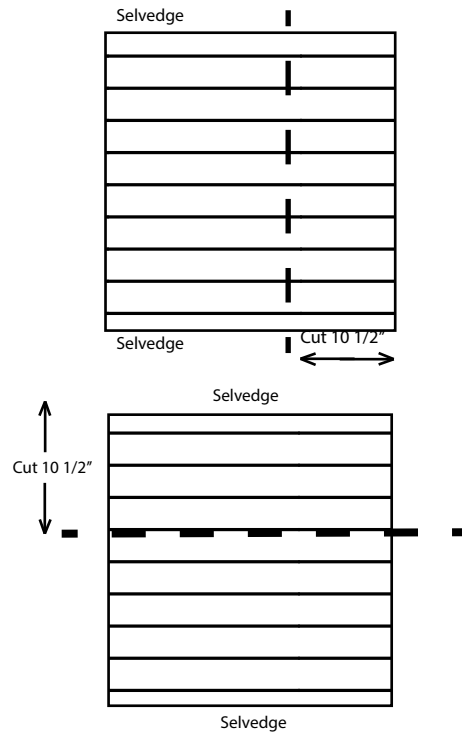
SUPPLEMENTAL: MAIN Fabric Cutting diagrams for STRIPED FABRIC

Your stripes are parallel to the selvedge of the fabric:

If you want your stripes to look like this:

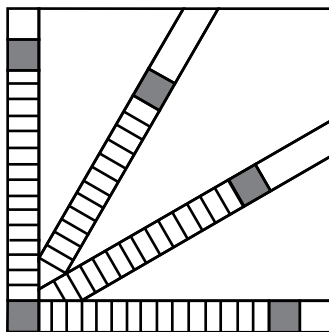
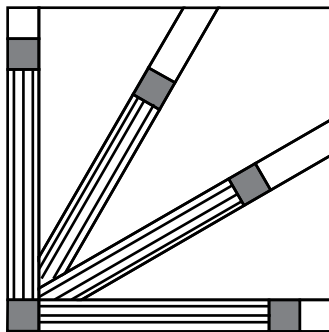


Then cut the 10 1/2" strip like this:



Your stripes are perpendicular to the selvedge of the fabric (they run from selvedge to selvedge):

If you want your stripes to look like this:



Then cut the 10 1/2" strip like this:

